

Data Sheet

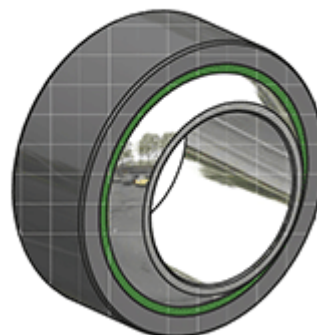
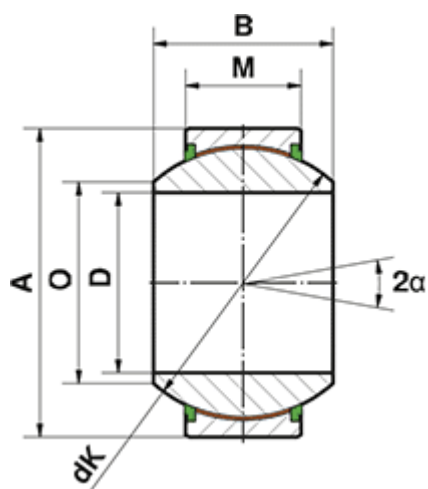


Article number: 03446200

Description: Fluro Heavy Duty Spherical Plain Bearing GE 200 GW-2RS
Hole \varnothing 200

Note: 200

Measures



= -	Dynamic load C (kN) = 6600
= -	M = 100
= -	O = 220
A = 320	Static load C0 (kN) = 11000
a (degrees) = 15	Weight (g) = 44700
B = 165	
D = 200	
dK = 275	